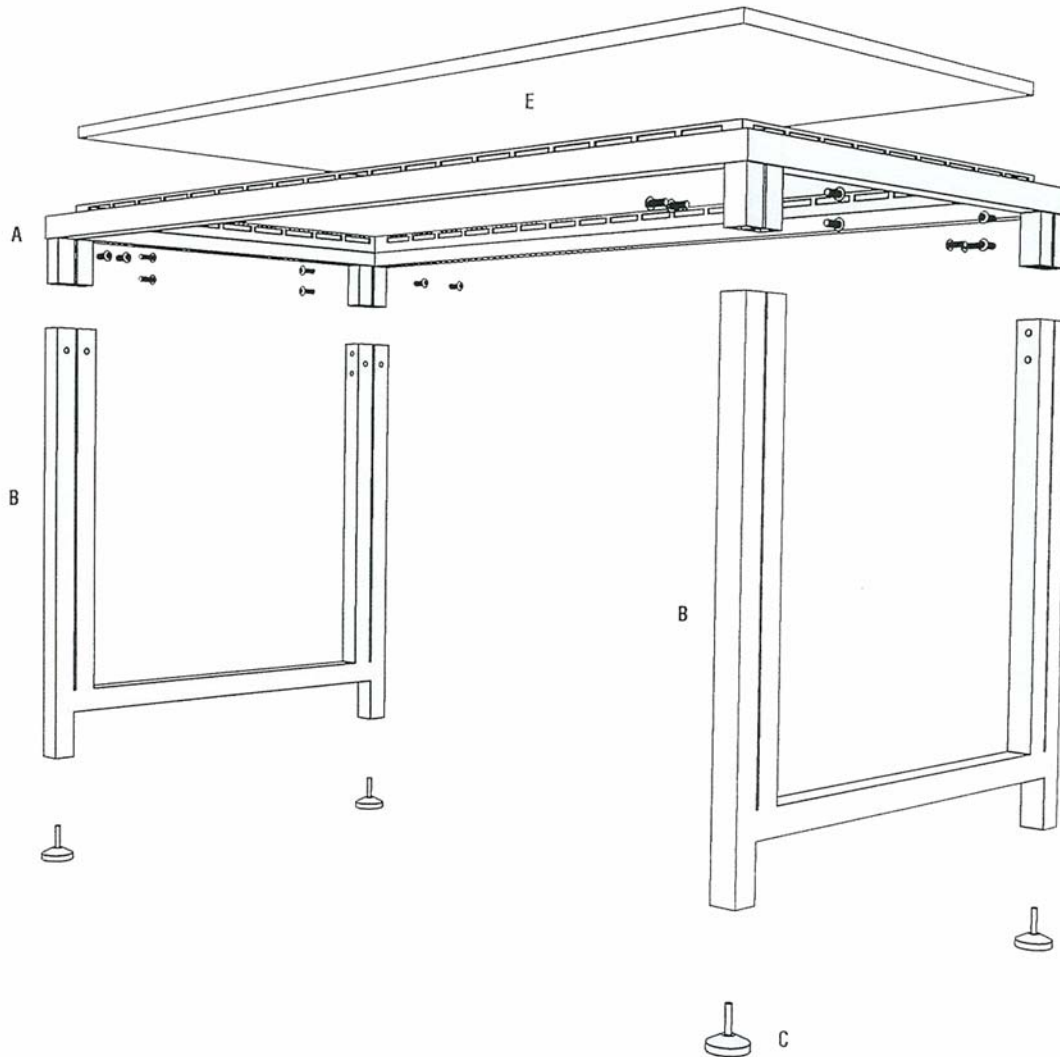


Pearl District Table Assembly Instructions



Small and Large Tables

- 1) Thread levelers into hole in bottom legs.
- 2) Slide legs over top frame attachments and screw (2) into place.
- 3) Drop wood top into top frame with desired finish facing up.

Includes:

- 1 - A Top Frame
- 2 - B Legs
- 4 - C Levelers
- 8 - D Screws (pkg.)