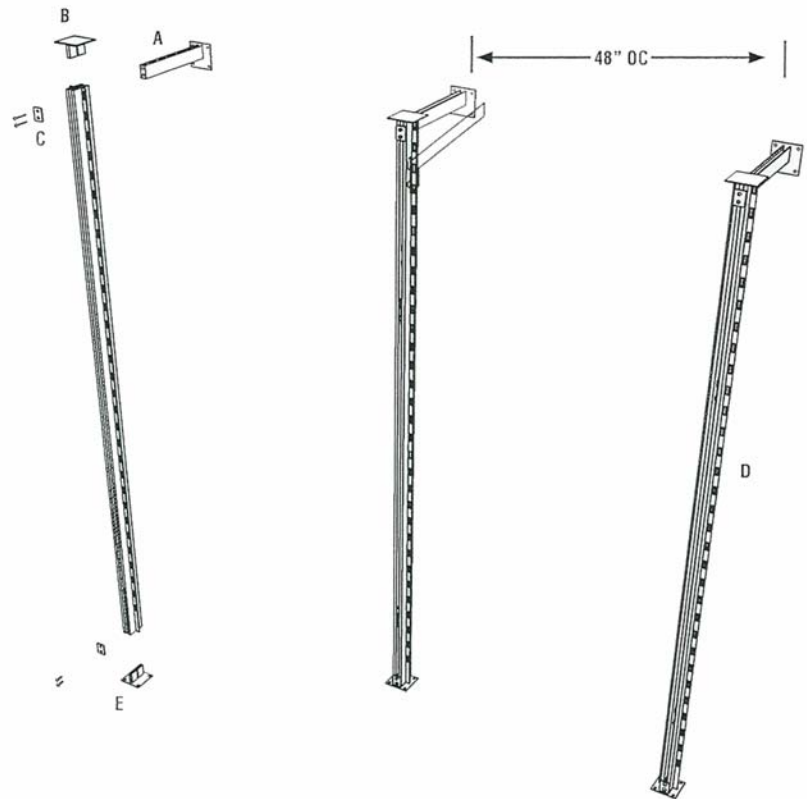


Pearl District Outrigger Assembly Instructions

- 1) Place upright on floor with side detail facing up.
- 2) Align wall mount bracket at top.
- 3) Insert top plate into top of upright.
- 4) Apply front plate over screw holes at top of upright.
- 5) Insert hexhead bolts through front plate, upright, top plate and into wall mount bracket and thread until tight.
- 6) Insert floor mount plate into bottom of upright.
- 7) Apply front plate over screw holes at bottom of upright.
- 8) Insert hexhead bolts through front plate, upright and into floor mount plate and thread until tight.
- 9) Stand outrigger upright and place against wall at stud location.
- 10) Repeat steps 1-9 for each individual upright and lean against wall 48" apart.
- 11) Secure screws through wall mount plate into wall stud.
 NOTE: Leave screws loose for adjustment DO NOT TIGHTEN.
- 12) Slide brackets into slots in uprights, position parallel, repeat as needed.
- 13) Slide hangbar or shelves over pegs in brackets until secure, adjust distance between uprights as needed to accommodate TWO BRACKETS PER upright SLOT
- 14) Secure screws through wall mount plate into wall stud and tighten.
- 15) Check for level and adjust floor mount plate accordingly.
- 16) Secure screws through floor mount plate into the floor until tight.



Includes:

- 1 – Wall Mount Bracket
- 1 – B Top Plate
- 1 – C Front Plate
- 1 – D Upright
- 1 – E Floor Mount Plate (with screw holes)
- 1 – Mounting Hardware (pkg.)