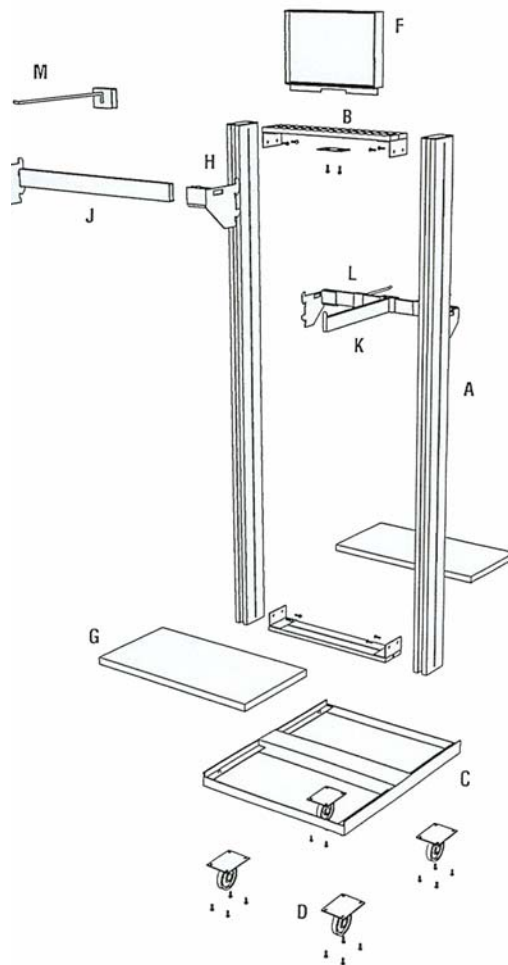


Pearl District 2-Way Assembly Instructions

- 1) Attach casters to bottom of frame base.
- 2) Slide frame upright over attachments and attach frame base using 2 screws, repeat for second upright.
NOTE: Leave screws loose for adjustment
DO NOT TIGHTEN.
- 3) Attach cross bar at top between uprights using 2 screws.
NOTE: Leave screws loose for adjustment
TIGHTEN WHEN COMPLETE.
- 4) Slide base shelf into base frame, matching peg in base with hole in bottom of shelf.
- 5) Slide hangrail brackets into slots in uprights, position parallel, repeat as needed.
- 6) Slide hangbar over pegs in brackets until secure.
- 7) Slide peghooks and/or faceouts over hangbar and position as needed.
- 8) Slide sign holder into center slot in top crossbar, slide acrylic insert into slot in top of sign holder.

Includes:

- 2 - A Frame Uprights
- 1 - B Frame Crossbar
- 1 - C Frame Base
- 4 - D 3" Casters (2 locking)
- 8 - Screws.



Frame/Base

A-E **290-2W** 20" W x 70" H

Sign Kit

F **290-HW-SIGNKIT** 7" W x 11" H

Base Shelf

G **290-2W-BKSHELF** Blakewood Veneer
 G **290-2W-MPSHELF** Modern Maple Veneer
 G **290-2W-PRSHELF** Pure Pear Veneer

Hangrail Brackets

H **290-HW-HRB4** 4" Projection
 I **290-HW-HRB12** 12" Projection

Hangbar

J **290-2W-HB18** Hangbar 18"

Faceout

K **290-HW-FO12** 12" Projection

Peghooks

L **290-HW-PEG6** 6" Projection
 I **290-HW-PEG10** 10" Projection.